



KERAJAAN NEGERI PULAU PINANG

PROJECT TITLE:

PROJECT PENANG TRANSPORT MASTER PLAN

PROJECT PACKAGE:

PENANG PAN ISLAND LINK (PIL)

ENVIRONMENTAL CONSULTANT:



Wiranda (M) Sdn Bhd
No 3374, Jalan 18/34,
Taman Sri Serdang,
43300 Seri Kembangan,
Selangor Darul Ehsan



Certified Professional in Erosion and Sediment Control
(Muhammad Aman Samsurey)

PROJECT DELIVERY PARTNER:



SRS Consortium
73-3A-1, Ideal @ The One, Jalan Mahsuri,
11950 Bayan Lepas, Pulau Pinang
T 6046416888 F 6046411776

LEAD CONSULTANT:



PERUNDING ZKR SDN. BHD.

No. 67, JALAN SS 6/10, KELANA JAYA,
47301 PETALING JAYA, SELANGOR D.E.
TEL : 03-7805 4632 FAX : 03-7805 4631

DESIGN CONSULTANT:



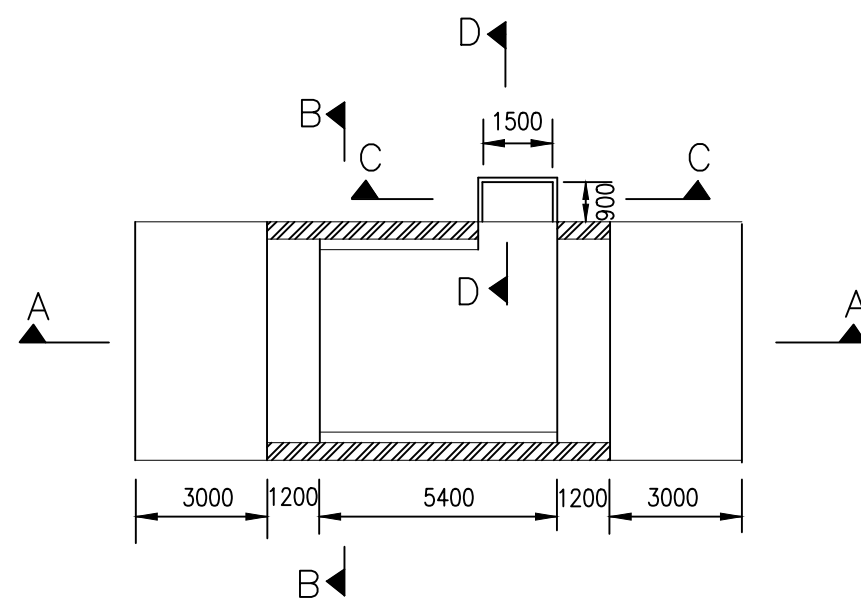
PERUNDING ZKR SDN. BHD.

No. 67, JALAN SS 6/10, KELANA JAYA,
47301 PETALING JAYA, SELANGOR D.E.
TEL : 03-7805 4632 FAX : 03-7805 4631

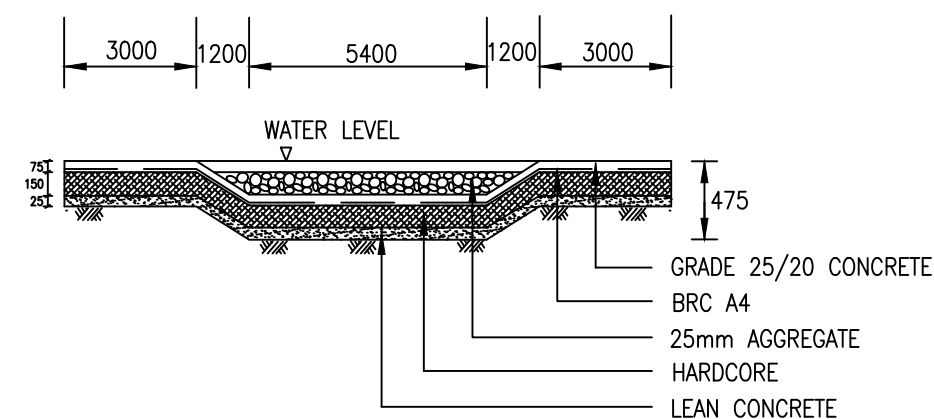
Rev	Date	Description	Dsg	Chk	App

Designed By :
 Drawn By :
 Checked By :
 Approved By :
 CAD file no : 07-2Lory Wash Trough
 Scale : N.T.S
 Date : 10.2.2018
 Drawing Title : Wash Trough Typical Details

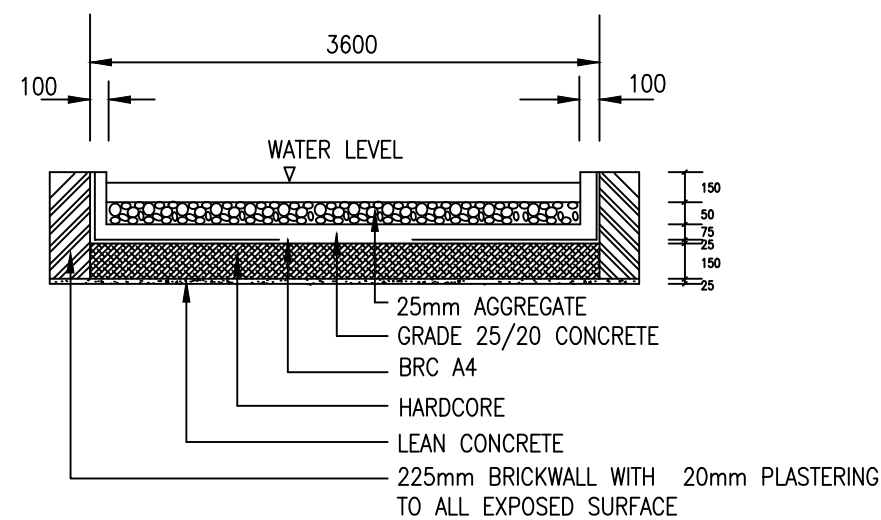
Drawing No : WT/PIL/No.9 Rev



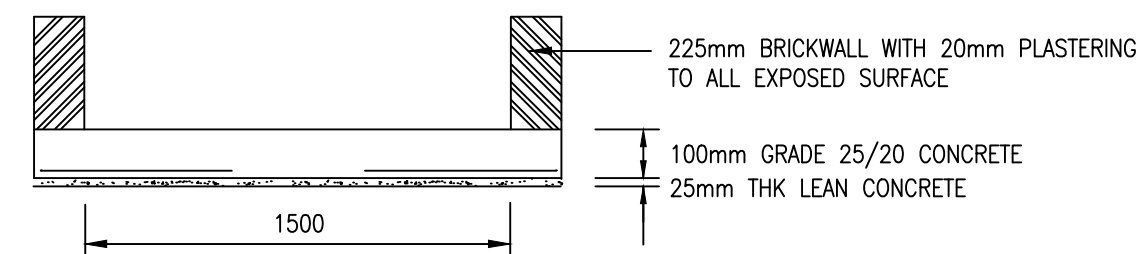
PLAN VEHICLE WASHING TROUGH



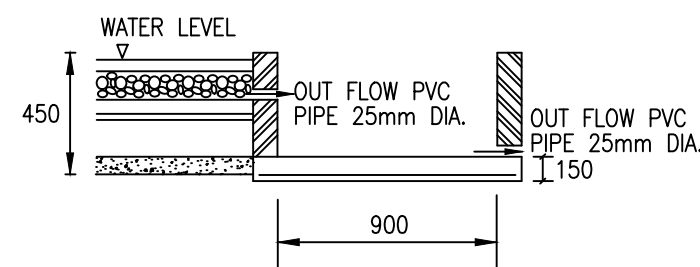
SECTION A - A



SECTION B - B



SECTION C - C



SECTION D - D

PRELIMINARY DESIGN